

NEW!!

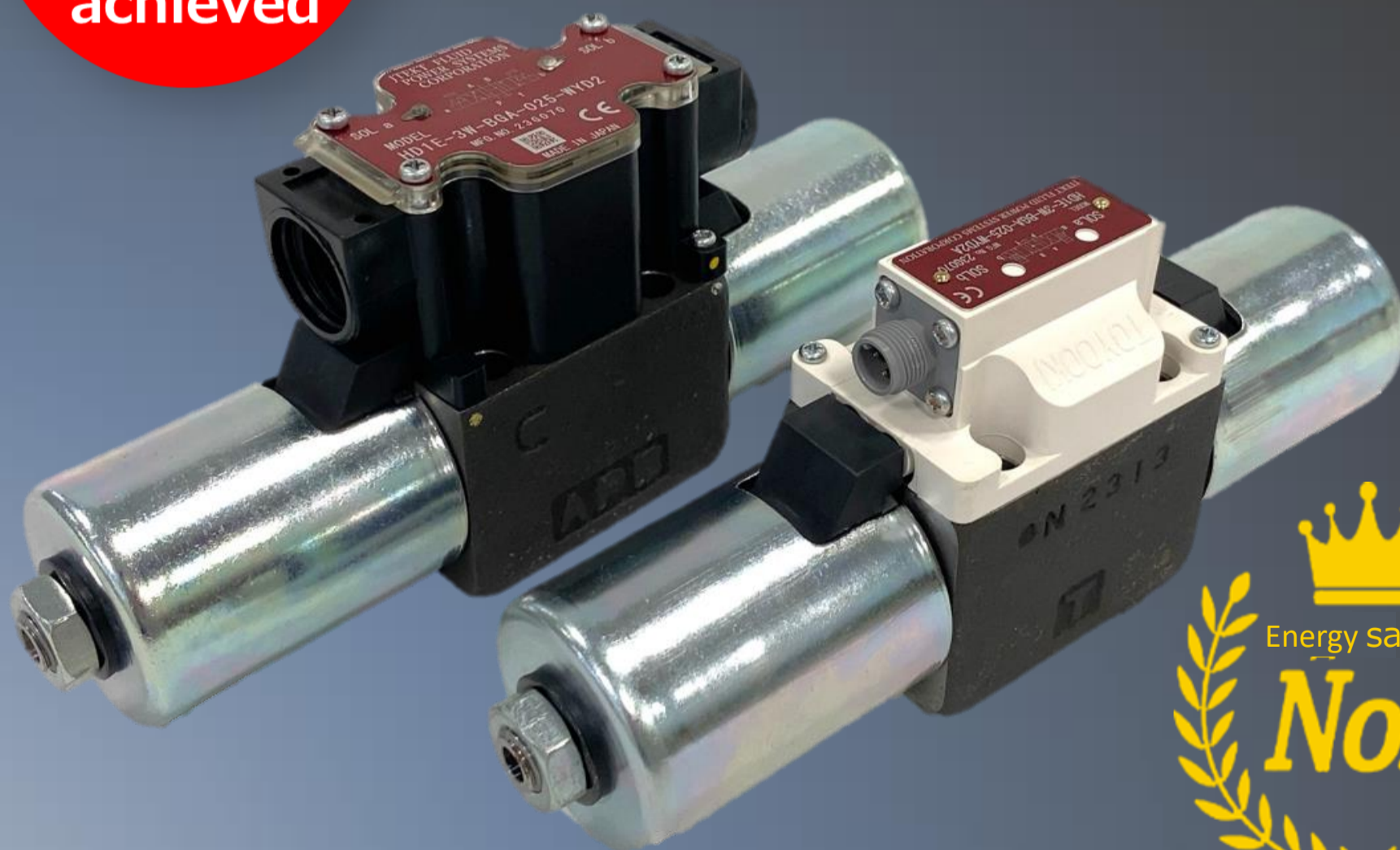
JTEKT

We can solve your energy-saving issue!

HD1E series

Ultra Low-Power Solenoid Valve

Power  
consumption  
**3.4<sub>w</sub>**  
achieved



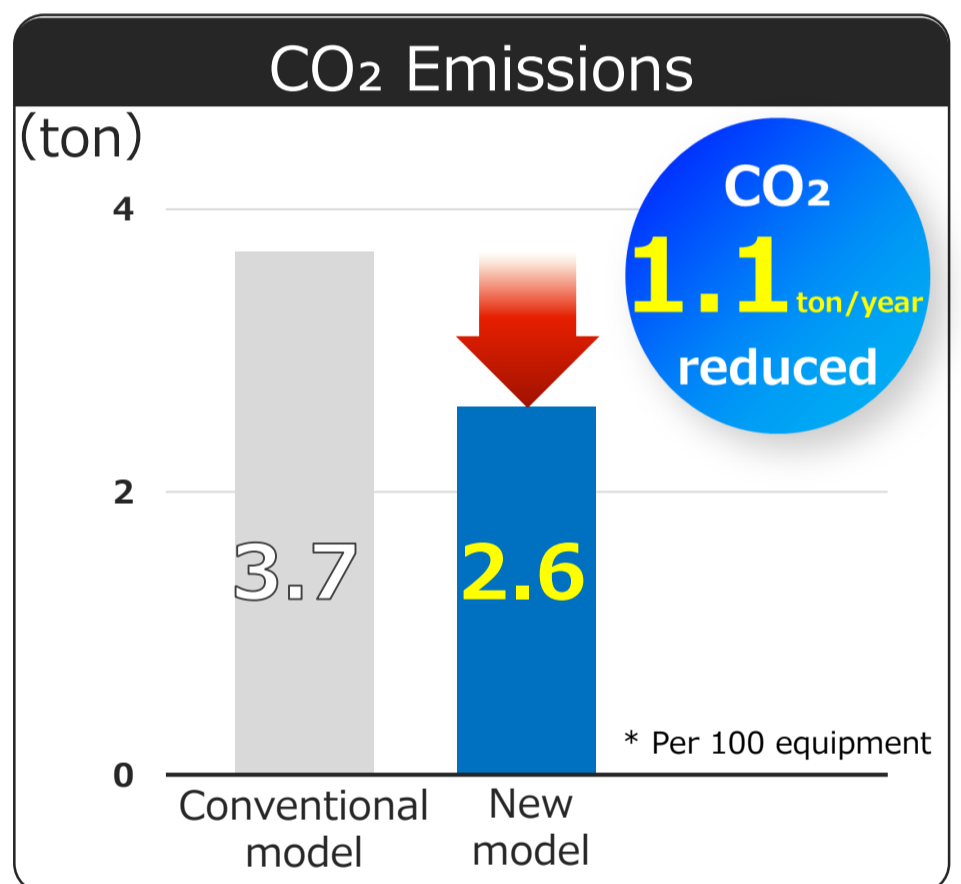
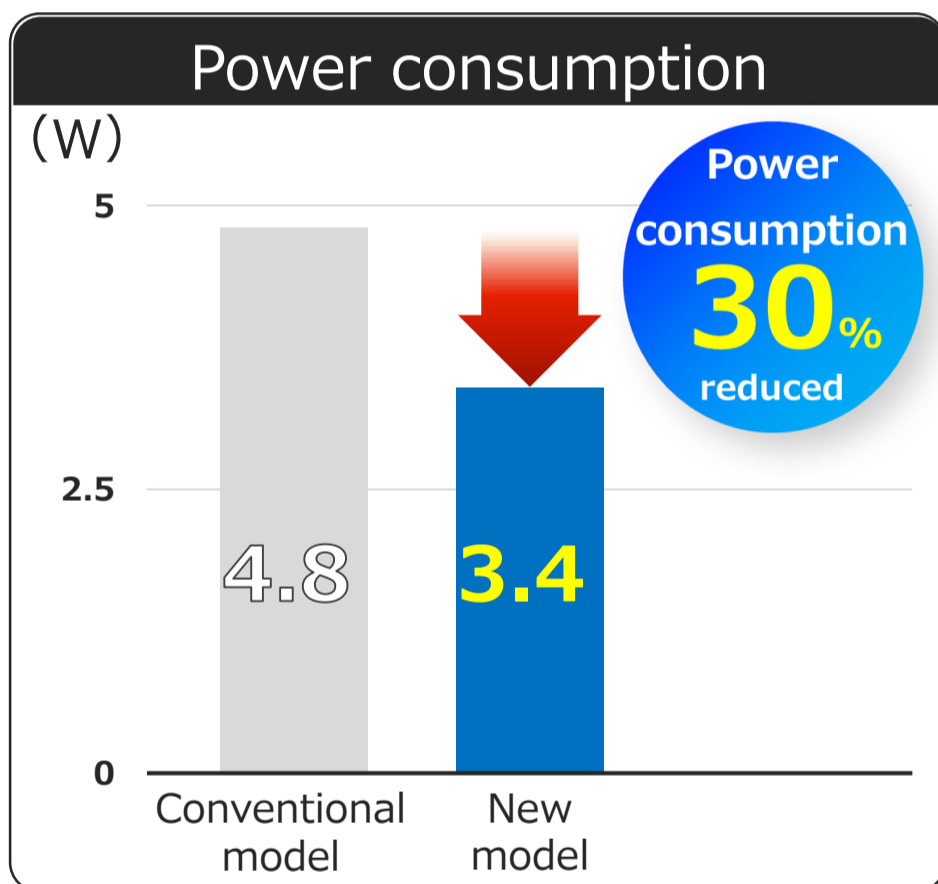
According to  
our own research

株式会社 ジェイテクトフルードパワーシステム  
JTEKT FLUID POWER SYSTEMS CORPORATION

# It's time to stop **wasting** energy!

## Next generation Ultra Low-Power Solenoid Valve

### Features



\* Estimate for a factory that has 100 equipment with 5 solenoid valves

Hydraulic unit "TOYOPAC ECO II +" and Ultra Low-Power Solenoid Valve achieve **further** energy saving!



Visit website for  
TOYOPAC ECO II +



TOYOPAC ECO II +



Ultra Low-Power Solenoid Valve  
HD1E series

## Model details

HD1E-3W-BCA-025-WYD2 (※)

①                      ②                      ③                      ④                      ⑤                      ⑥                      ⑦

No.	Details	No.	Details
①	Next generation model HD1E series Max operating pressure: 10MPa	⑥	Voltage D2 : DC24V
②	Switching function 3W: Spring center 2WD: No spring detent 2S: Spring offset	⑦	Option 1) with diode S : load side – common T : load side + common 2) M12-4 pin connector outlet A : load side – common right side B : load side – common right side C : load side + common right side D : load side + common right side
③	Spool type		
④	Nominal size 025: ISO4401-03-02-0-94		
⑤	Wiring method WY: connected to side of terminal box		

## Specifications

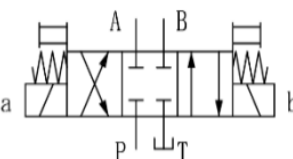
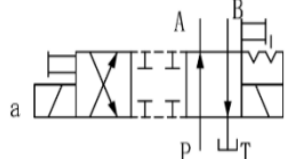
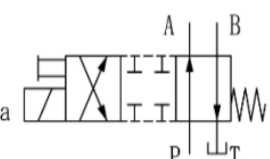
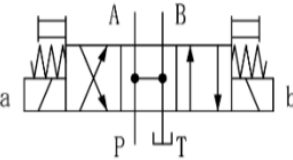
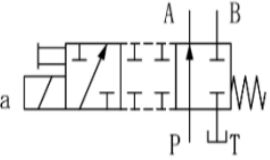
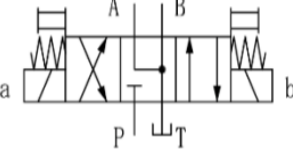
	HD1E-※-※-025- WYD2	HD1E-※-※-025- WYD2 (S·T)	HD1E-※-※-025- WYD2 (A·B·C·D)
	without diode	with diode	with diode
Max operating pressure	10 MPa		
Rated flow	27 L/min		
Maximum flow	40 L/min *1		
Switching frequency	2 / second		
Protection structure class	IEC529 IP65		IEC529 IP67
Recommended operating fluid	ISO VG22、32、46		
Fluid temperature	0~65 °C		
Ambient temperature	-10~50 °C		
Weight	Double SOL.	2.3 kg	
	Single SOL.	1.7 kg	
Mounting bolt	JIS B 1176 M5×30 *2		
Tightening torque	6~8 N·m		
International safety standard	CE marking		

\*1 Max flow rate changes depending on usage conditions. \*2 Mounting bolt is excluded.

## Solenoid characteristics

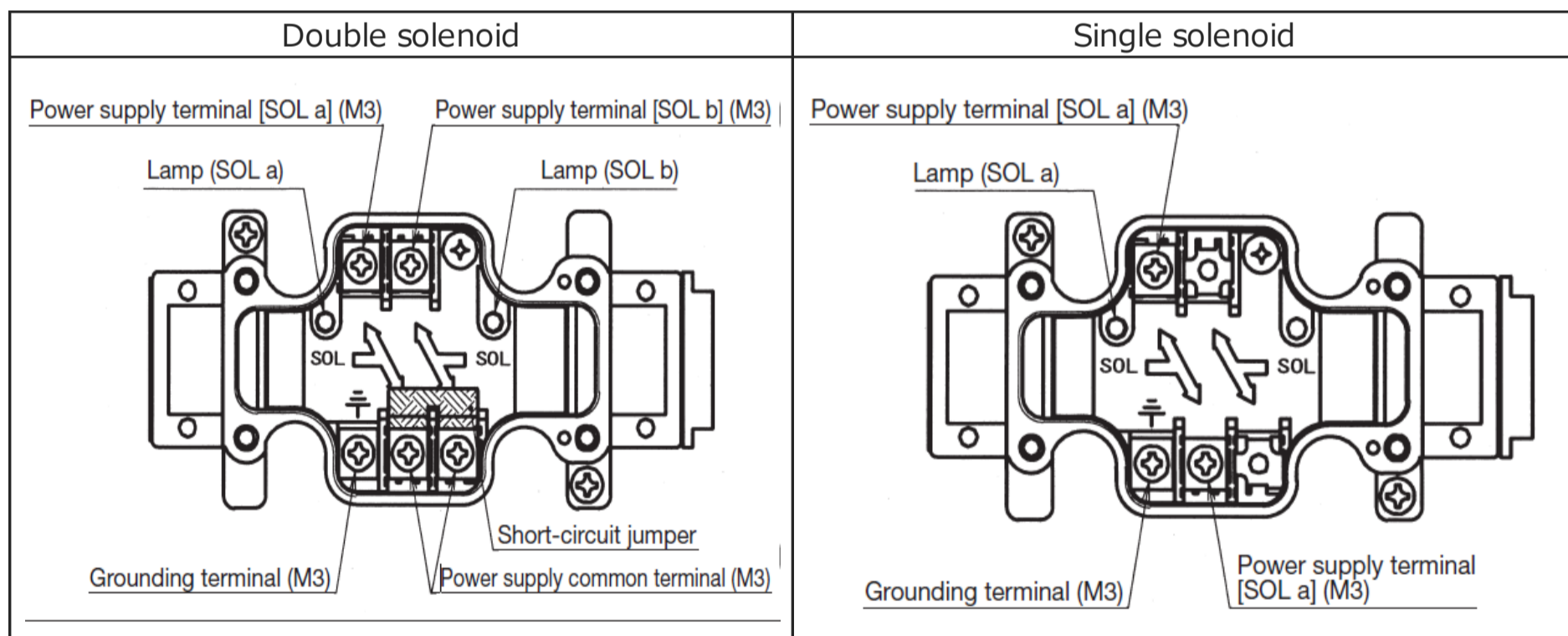
Solenoid model	SLH1E-025-D2
Rated voltage	DC24 V
Holding current	0.14 A
Power consumption	3.4 W
Voltage range	±10% (21.6~26.4 V)

# Type

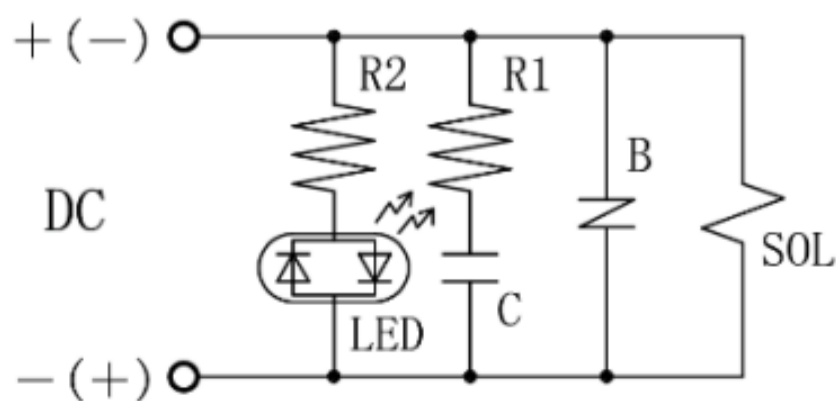
Type	Spring center	No spring detent	Spring offset
Model	HD1E-3W-***-025-WYD2*	HD1E-2WD-***-025-WYD2*	HD1E-2S-***-025-WYD2*
Spool type	3W-BCA 	2WD-BcA 	2S-BcA 
	3W-BDA 	_____	2S-KcP 
	3W-BGA 	_____	_____

# Wiring diagram / Electric circuit

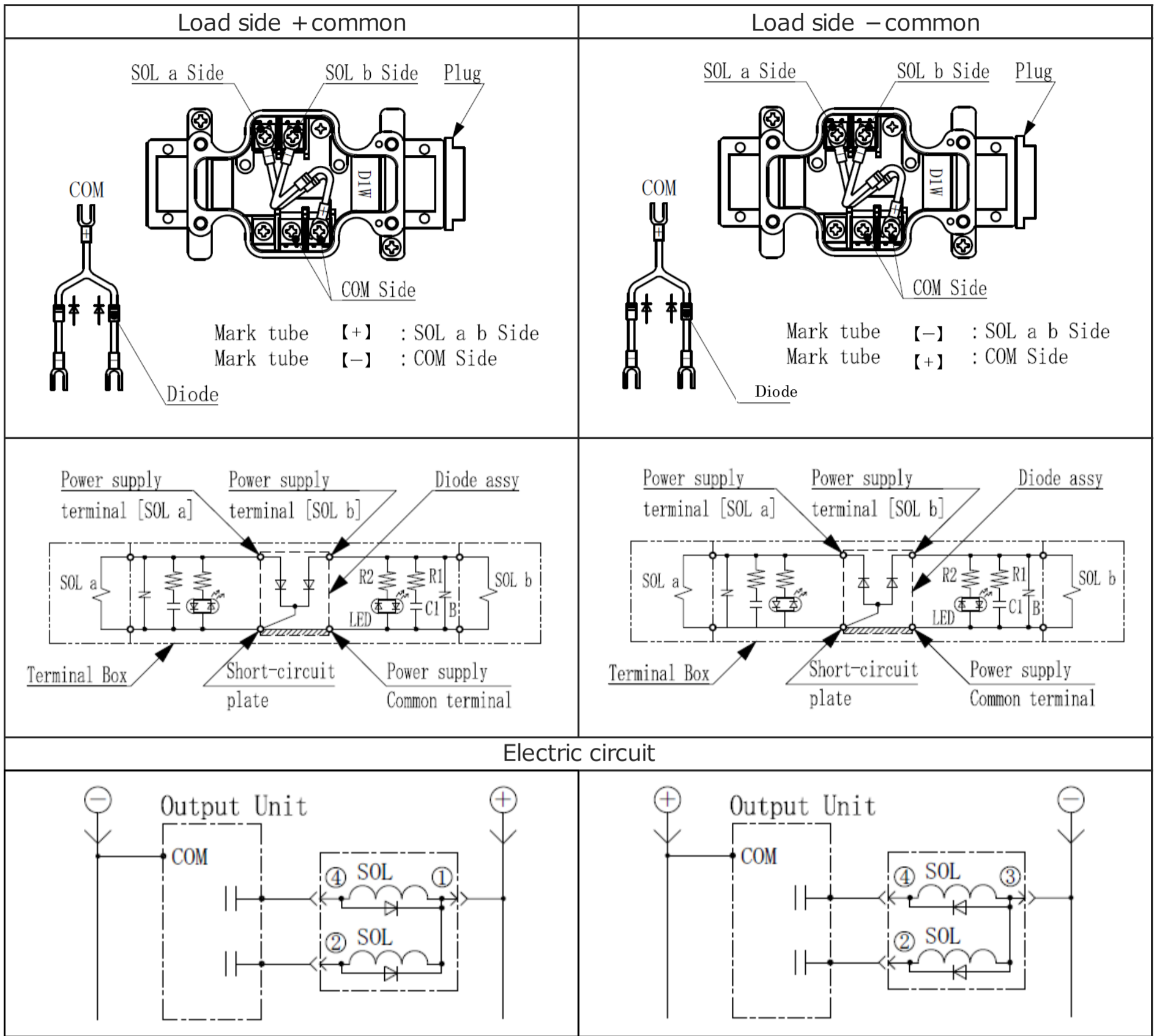
Terminal box without diode type



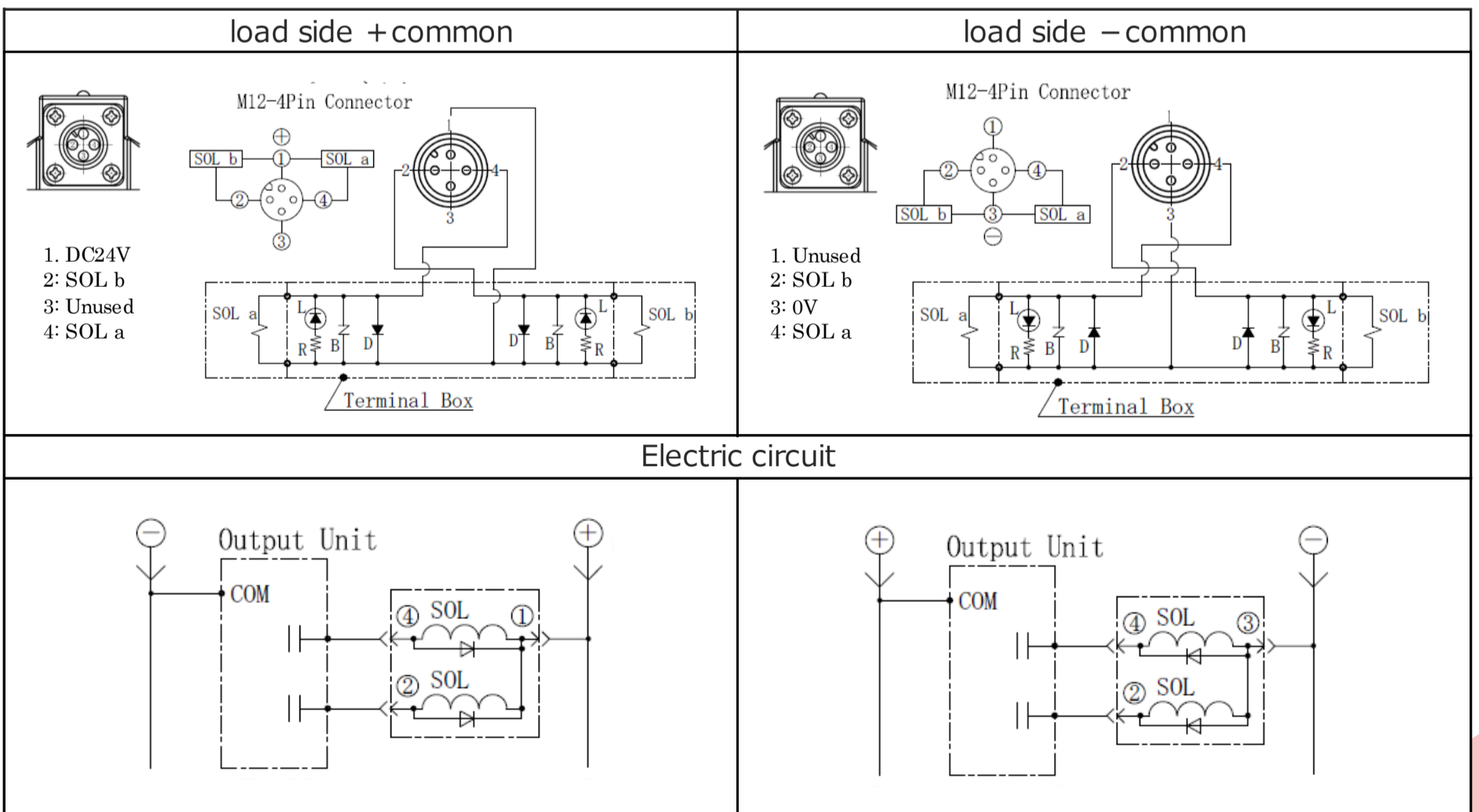
Electric circuit



Terminal box with diode type

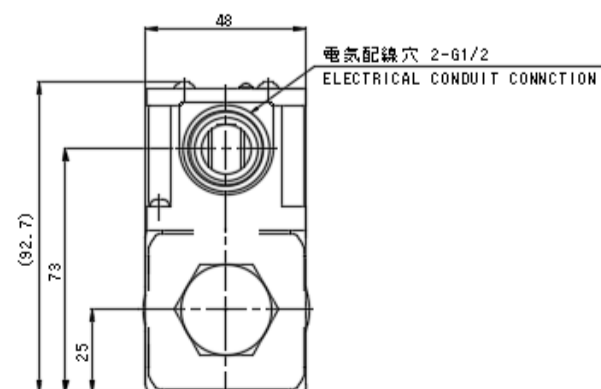
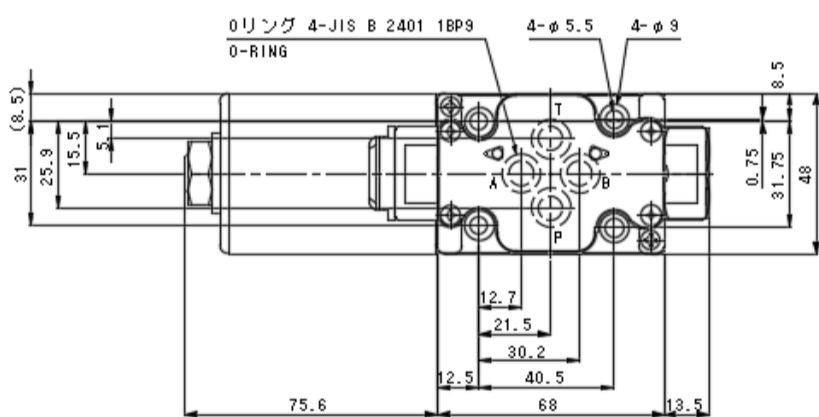
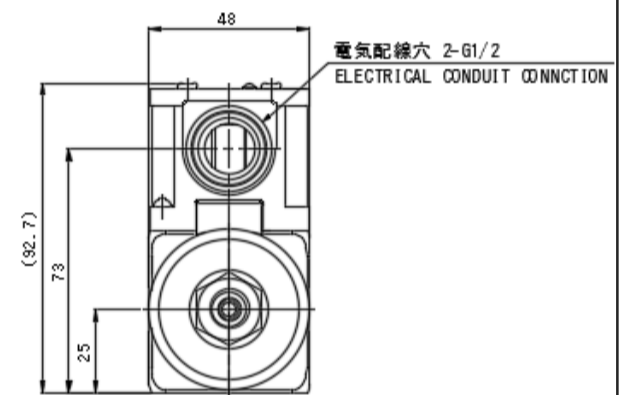
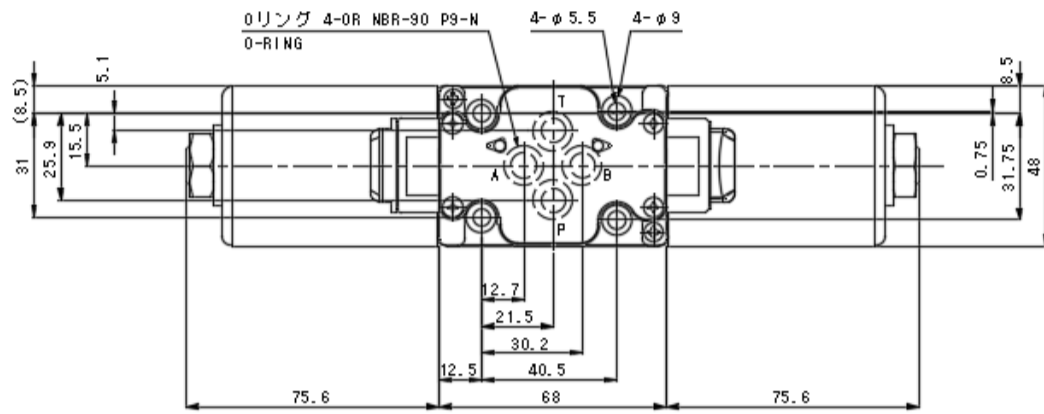


M12-4 pin type



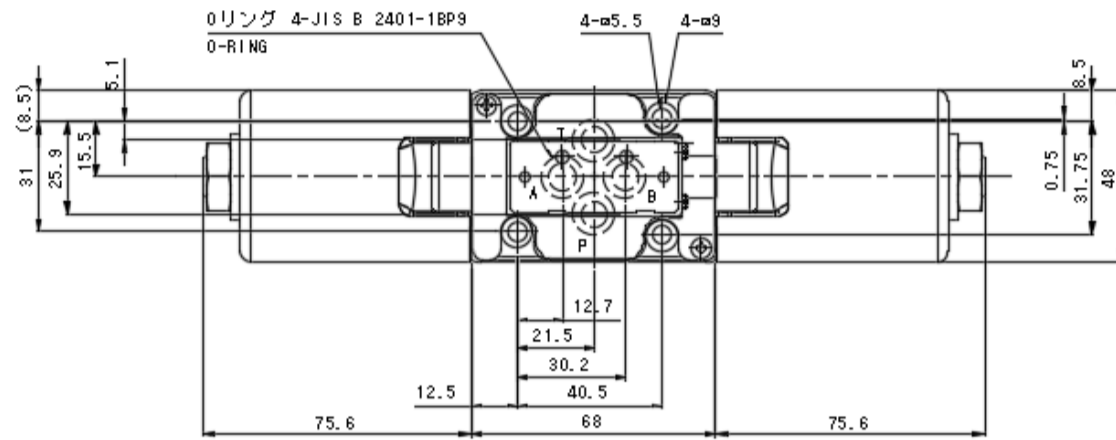
# Outside dimensions

## ■ Terminal box type

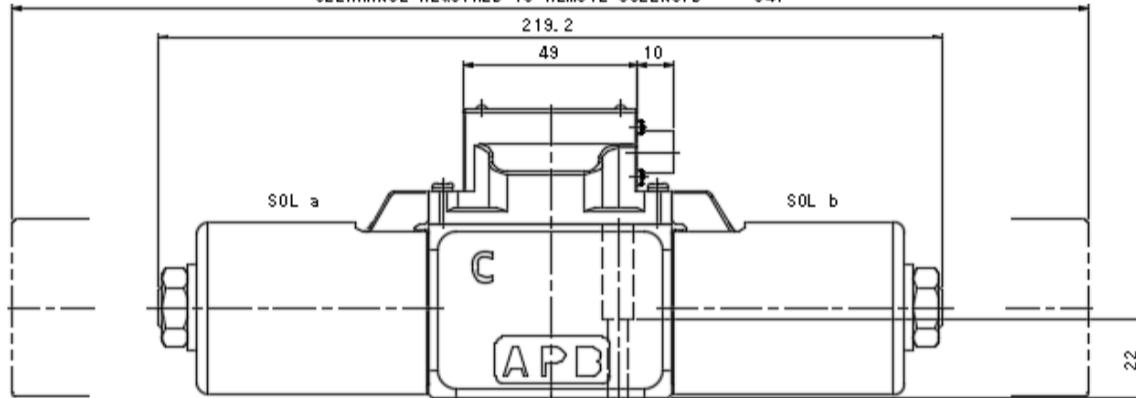


# Outside dimensions

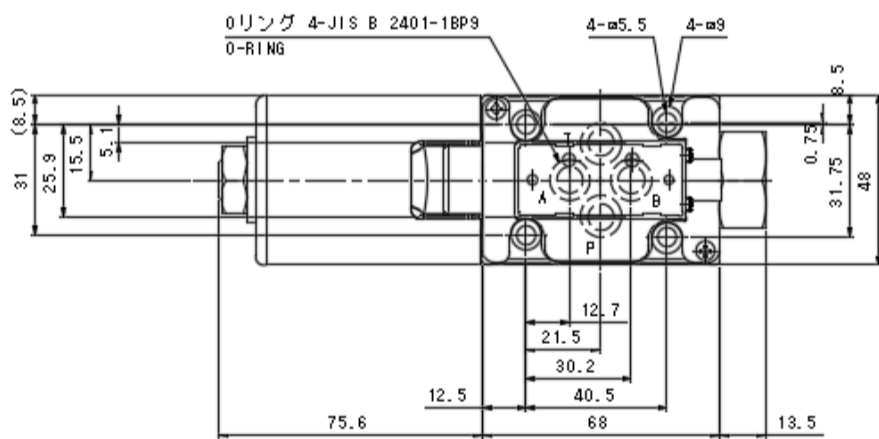
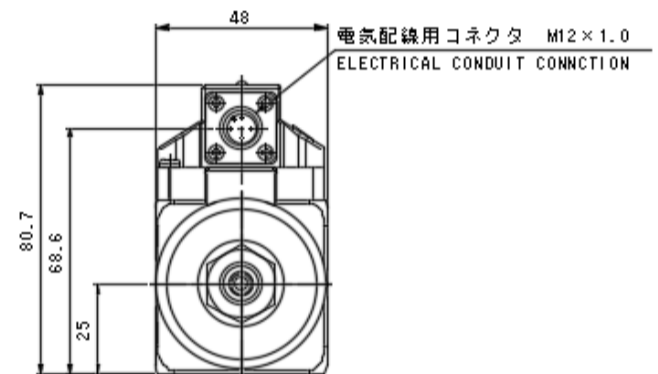
## ■ M12-4 pin connector type



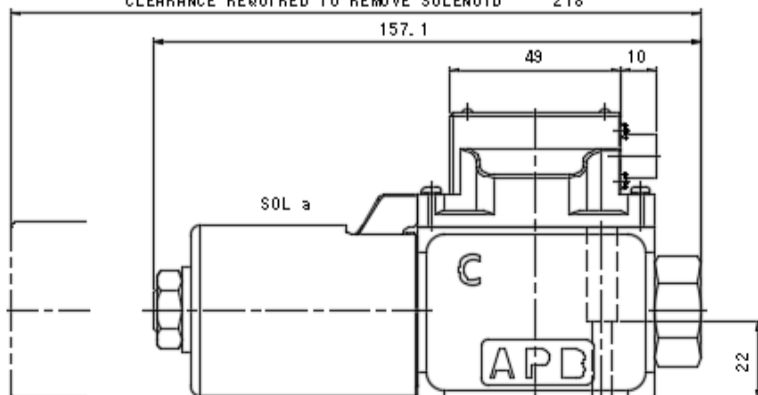
ソレノイド着脱寸法  
CLEARANCE REQUIRED TO REMOVE SOLENOID 341



15120005-A40



ソレノイド着脱寸法  
CLEARANCE REQUIRED TO REMOVE SOLENOID 218



15120005-A80

