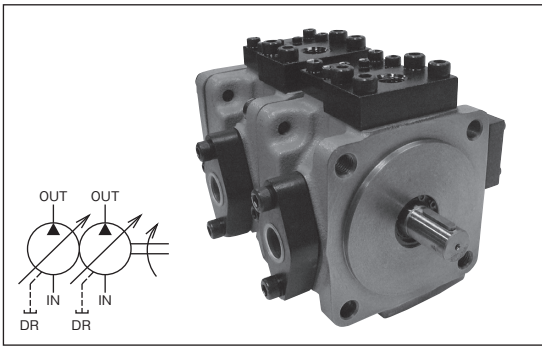


VARIABLE-DISPLACEMENT DOUBLE VANE PUMP (HVP-VCC1)



Features

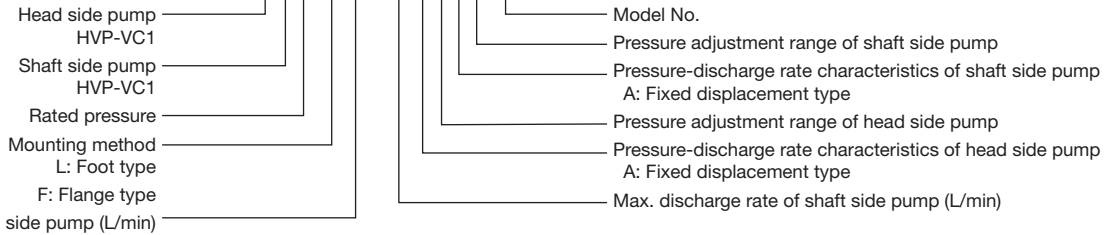
Two variable displacement vane pumps (HVP-VC1 series) are assembled into one unit and driven by one motor.

⚠ Cautions on use Please read the Operating Manual carefully to ensure correct usage.

- Standard pressure-displacement characteristics are those of the fixed displacement type (A type).
- Direction of rotation is to right (CW) viewed from the shaft end.
- For performance of each pump, refer to the single pump (A-11).
- The pump can be used for R&O type and abrasion-resistant type hydraulic fluid applications.
- Please read the "Cautions on Using Pumps and Motors", A-2 and A-3 pages.

Description of the model designation

HVP-VCC1-F26-26A1A1-C

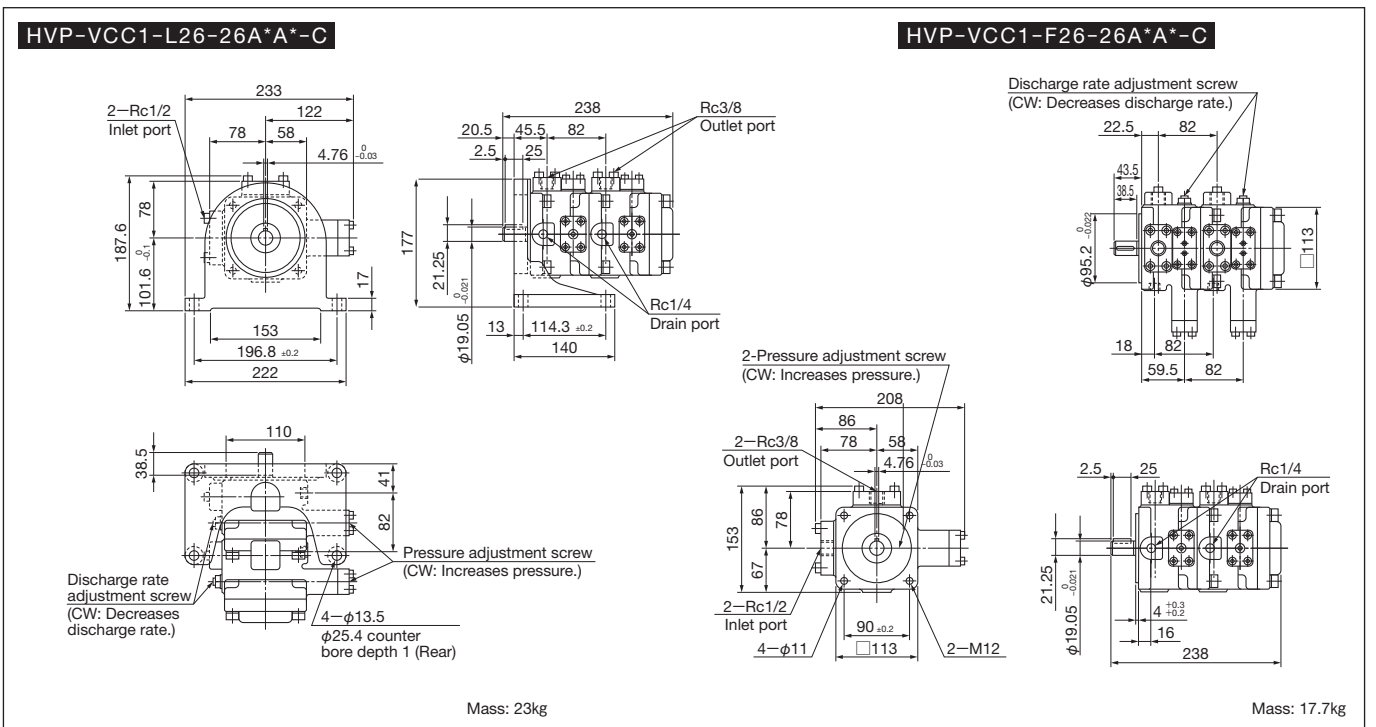


Specifications

Model	Head-side pump		Shaft-side pump		Rotating speed (min ⁻¹)		
	Discharge rate under no load (L/min)	Pressure adjustment range (MPa)	Discharge rate under no load (L/min)	Pressure adjustment range (MPa)	Rated	Max.	Lowest
HVP-VCC1-L26-26A1A1-C	26	0.8 to 1.8	26	0.8 to 1.8	1,800	1,800	750
HVP-VCC1-F26-26A1A1-C				1.4 to 3.5			
HVP-VCC1-L26-26A1A2-C				3 to 7			
HVP-VCC1-F26-26A1A2-C		1.4 to 3.5					
HVP-VCC1-L26-26A1A3-C				3 to 7			
HVP-VCC1-F26-26A1A3-C							
HVP-VCC1-L26-26A2A2-C		1.4 to 3.5		3 to 7			
HVP-VCC1-F26-26A2A2-C							
HVP-VCC1-L26-26A2A3-C				3 to 7			
HVP-VCC1-F26-26A2A3-C							
HVP-VCC1-L26-26A3A3-C	3 to 7						
HVP-VCC1-F26-26A3A3-C							

(Note) The discharge under no load shows the value at the rated speed.

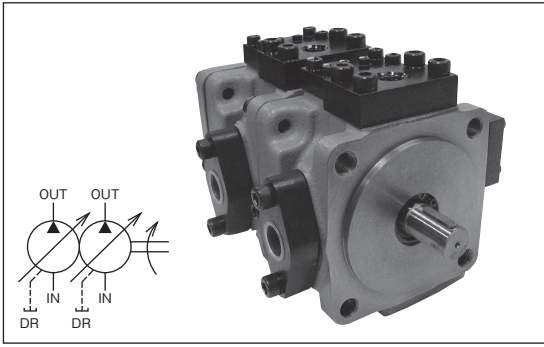
Outside dimensions



VARIABLE-DISPLACEMENT DOUBLE VANE PUMP (HVP-VCD1)

A

PUMPS AND MOTORS



Features

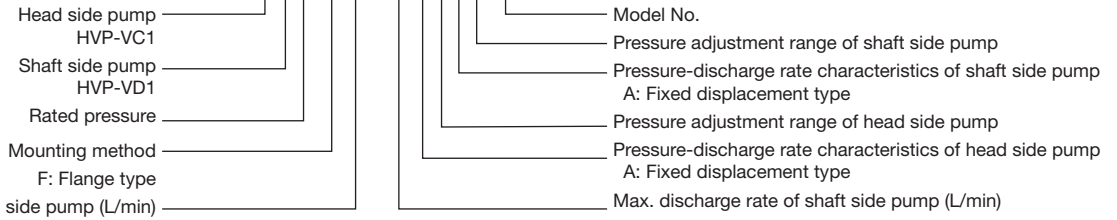
Two variable displacement vane pumps (HVP-V*1 series) are assembled into one unit and driven by one motor.

⚠ Cautions on use Please read the Operating Manual carefully to ensure correct usage.

- Standard pressure-displacement characteristics are those of the fixed displacement type (A type).
- Direction of rotation is to right (CW) viewed from the shaft end.
- For performance of each pump, refer to the single pump (A-11).
- Install a pump of larger capacity at the shaft side in the assembly.
- The pump can be used for R&O type and abrasion-resistant type hydraulic fluid applications.
- Please read the "Cautions on Using Pumps and Motors", A-2 and A-3 pages.

Description of the model designation

HVP-VCD1-F26-45A1A1-C

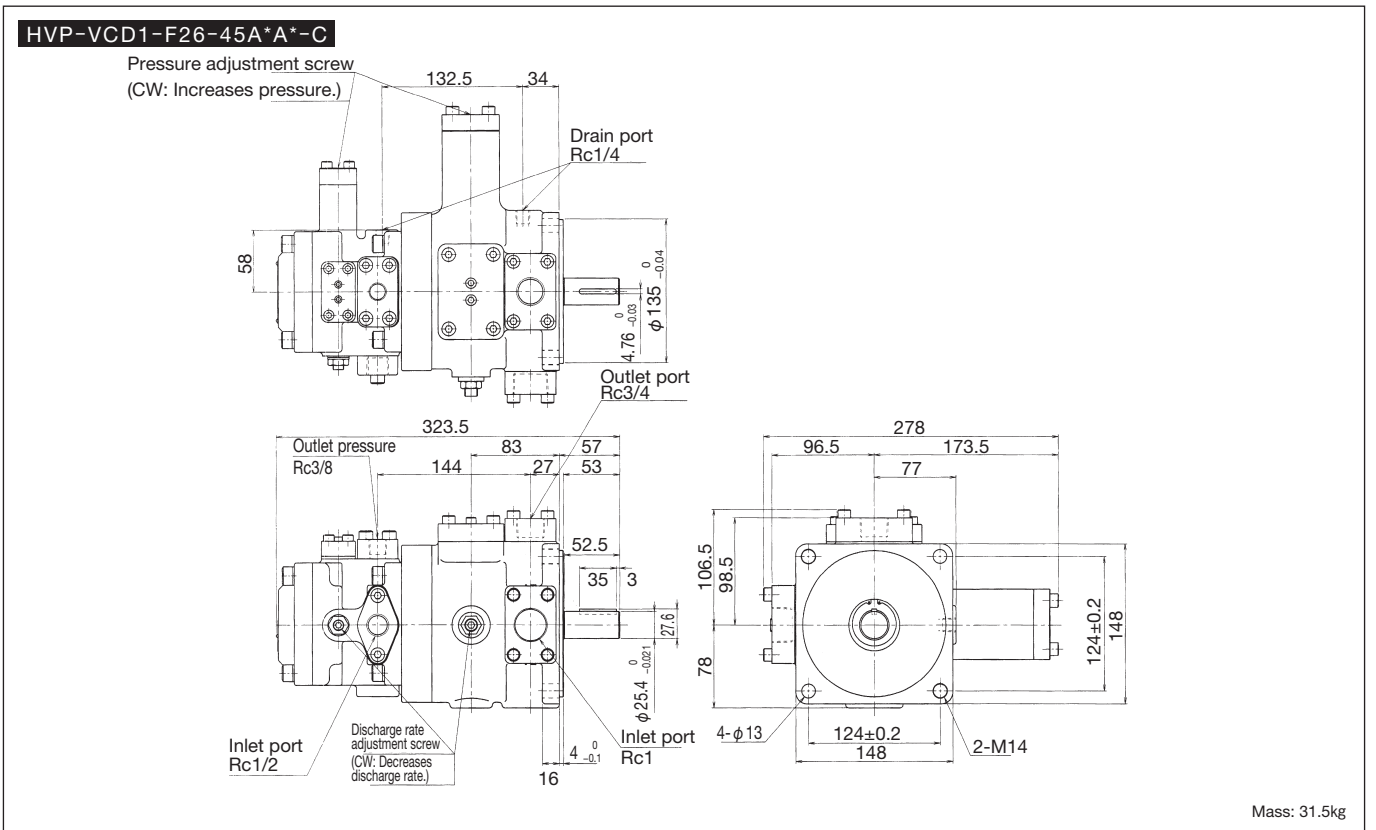


Specifications

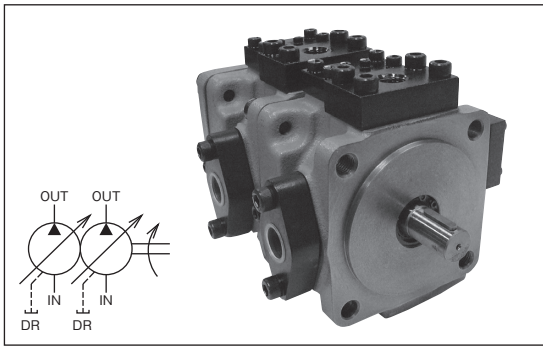
Model	Head-side pump		Shaft-side pump		Rotating speed (min ⁻¹)		
	Discharge rate under no load (L/min)	Pressure adjustment range (MPa)	Discharge rate under no load (L/min)	Pressure adjustment range (MPa)	Rated	Max.	Lowest
HVP-VCD1-F26-45A1A1-C	26	0.8 to 1.8	45	0.8 to 1.8	1,800	1,800	750
HVP-VCD1-F26-45A1A2-C				1.4 to 3.5			
HVP-VCD1-F26-45A1A3-C				3 to 7			
HVP-VCD1-F26-45A2A1-C		1.4 to 3.5		0.8 to 1.8			
HVP-VCD1-F26-45A2A2-C				1.4 to 3.5			
HVP-VCD1-F26-45A2A3-C				3 to 7			
HVP-VCD1-F26-45A3A1-C		3 to 7		0.8 to 1.8			
HVP-VCD1-F26-45A3A2-C				1.4 to 3.5			
HVP-VCD1-F26-45A3A3-C				3 to 7			

(Note) The discharge under no load shows the value at the rated speed.

Outside dimensions



VARIABLE-DISPLACEMENT DOUBLE VANE PUMP (HVP-VDD1)



Features

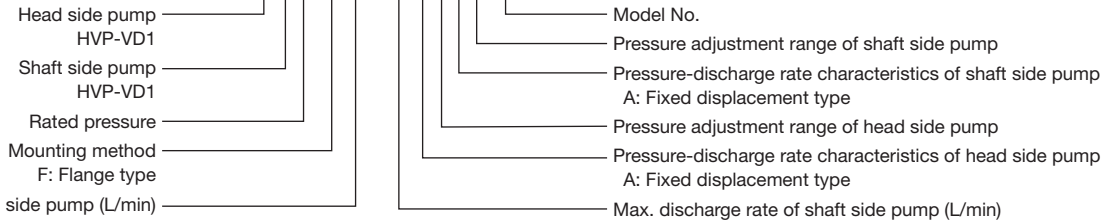
Two variable displacement vane pumps (HVP-VD1 series) are assembled into one unit and driven by one motor.

⚠ Cautions on use Please read the Operating Manual carefully to ensure correct usage.

- Standard pressure-displacement characteristics are those of the fixed displacement type (A type).
- Direction of rotation is to right (CW) viewed from the shaft end.
- For performance of each pump, refer to the single pump (A-11).
- The pump can be used for R&O type and abrasion-resistant type hydraulic fluid applications.
- Please read the "Cautions on Using Pumps and Motors", A-2 and A-3 pages.

Description of the model designation

HVP-VDD1-F45-45A1A1-C



Specifications

Model	Head-side pump		Shaft-side pump		Rotating speed min^{-1}			
	Discharge rate under no load (L/min)	Pressure adjustment range (MPa)	Discharge rate under no load (L/min)	Pressure adjustment range (MPa)	Rated	Max.	Lowest	
HVP-VDD1-F45-45A1A1-C	45	0.8 to 1.8	45	0.8 to 1.8	1,800	1,800	750	
HVP-VDD1-F45-45A1A2-C				1.4 to 3.5				
HVP-VDD1-F45-45A1A3-C				3 to 7				
HVP-VDD1-F45-45A2A2-C		1.4 to 3.5		1.4 to 3.5				
HVP-VDD1-F45-45A2A3-C				3 to 7				3 to 7
HVP-VDD1-F45-45A3A3-C								3 to 7

(Note) The discharge under no load shows the value at the rated speed.

Outside dimensions

